



TABLE OF SPECIFICATIONS

Fin space 4.1 mm Tubes 1/2"													
Model	Capacity			Surface	Air Flow						Defrost Heaters		Weight
	ΔT=Tamp-Tevap				Fans			Motor			Total Power	No of Elements **	
	6	8	10	m2	m3/h	(D) mm	No of fans	Power motor	Amps per motor I	Voltage U (V)	Watt		Kg
	Watt*												
34 S 1	814	1305	1815	8.2	1250	300	1	16/60	0.42	230 50hz	840	2	12
10 S 1	1297	1989	2652	11	1400	300	1	25/90	0.62	230 50hz	840	2	18
15 S 2	1958	2873	3544	14.2	2400	300	2	16/60	0.42	230 50hz	1440	2	20
20 S 2	2074	3310	4297	19	2450	300	2	25/90	0.62	230 50hz	1440	2	24
21 S 2	2970	4332	5647	23.6	2850	300	2	39/85	0.42	230 50hz	1440	2	29
30 S 3	4378	6120	8375	28.6	4650	300	3	39/85	0.42	230 50hz	2200	2	36
40 S 3	4800	7150	9271	33.8	6600	350	3	70/128	0.63	230 50hz	2600	2	43
50 S 3	5796	8538	11316	42.2	6550	350	3	70/128	0.63	230 50hz	2600	2	50
75 S 3	6278	9650	12796	51	6500	350	3	70/128	0.63	230 50hz	3900	3	64
100 S 3	8988	12861	16696	66.6	8700	400	3	112/180	0.82	230 50hz	5100	3	100
110 S 3	11507	16769	20944	77.6	12600	450	3	180/250	1.15	380 50hz	5100	4	107
150 S 3	12952	18785	24387	94.5	12500	450	3	180/250	1.15	380 50hz	6800	4	117
200 S 4	18189	25463	31725	125	16600	450	4	180/250	1.15	380 50hz	9100	4	146

* Room Temperature 0 °C

** Optional

R134a R404a R22
1.05 1 1.09

Fin space 6.4 mm Tubes 1/2"													
Model	Capacity			Surface	Air Flow						Defrost Heaters		Weight
	ΔT=Tamp-Tevap				Fans			Motor			Total Power	No of Elements	
	6	8	10	m2	m3/h	(D) mm	No of fans	Power motor	Amps per motor I	Voltage U (V)	Watt		Kg
	Watt*												
34 C 1	751	1042	1479	5.4	1435	300	1	25/90	0.62	230 50hz	1270	3	13
10 C 1	998	1539	2048	7.2	1520	300	1	39/85	0.42	230 50hz	1700	4	15
15 C 2	1560	2198	2730	9.3	2700	300	2	25/90	0.62	230 50hz	2880	4	20
20 C 2	1691	2680	3656	12.4	2930	300	2	39/85	0.42	230 50hz	2880	4	24
21 C 2	2045	3246	4249	15.5	2900	300	2	39/85	0.42	230 50hz	2880	4	26
30 C 3	3492	4779	5889	18.9	4750	300	3	39/85	0.42	230 50hz	4400	4	34
40 C 3	4219	5565	7190	22.2	6700	350	3	70/128	0.63	230 50hz	5200	4	43
50 C 3	4496	6735	8876	28	6650	350	3	70/128	0.63	230 50hz	5200	4	48
75 C 3	4813	7696	10432	33.6	6600	350	3	70/128	0.63	230 50hz	6500	5	53
100 C 3	6789	10090	13278	44	8800	400	3	112/180	0.82	230 50hz	8500	5	80
110 C 3	10207	13433	16400	51.5	12700	450	3	180/250	1.15	380 50hz	8500	5	90
150 C 3	10036	14699	18566	61.7	12600	450	3	180/250	1.15	230 50hz	10200	6	100
200 C 4	14930	19413	23480	82	16700	450	4	180/250	1.15	230 50hz	13600	6	130

* Room Temperature -18 °C

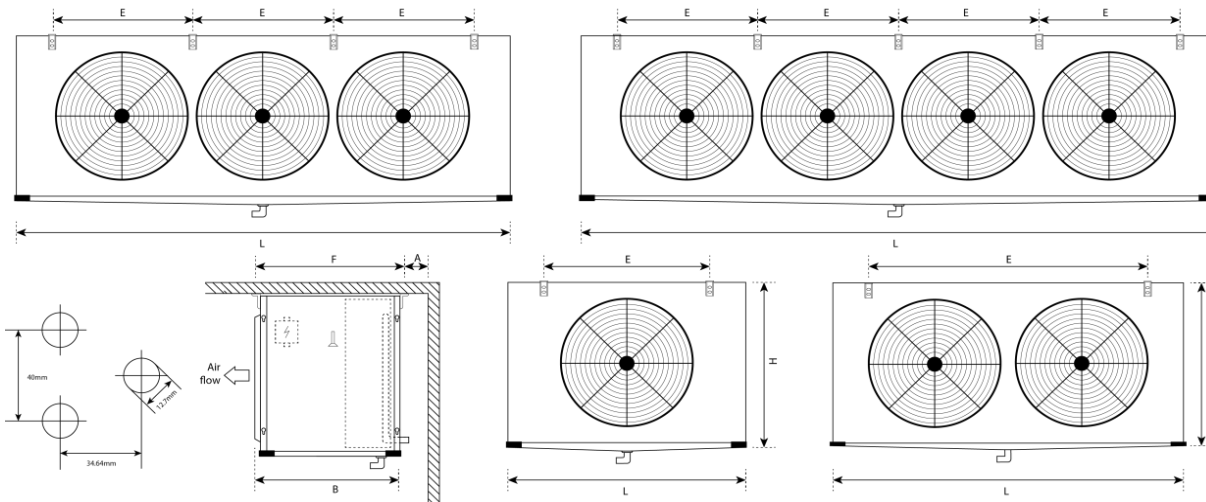
R134a R404a R22
0.86 1 0.96

TEPSA LTD
DESIGN AND MANUFACTURE OF EXCHANGERS
 18, Kyprou str., Tavros 177 78, Athens - Greece
 Phone: (+30) 210 4825149 (+30) 210 4819013, Fax: (30) 210 4829973
 Email: tepsa@otenet.gr



DIMENSION TABLE

Model	Dimensions								Connection		Tube	Sound
	B	H	F	L	A	Suspensions	E	Drain	Input	Output	Volume	Pressure
	mm	mm	mm	mm	mm		mm	mm	mm	in	in	ltr
34 S&C 1	370	440	366	631	200	4	440	17	1/2"	5/8"	1.5	49
10 S&C 1	370	440	366	631	200	4	440	17	1/2"	5/8"	2	50
15 S&C 2	370	440	366	930	200	4	740	17	1/2"	5/8"	2.5	49
20 S&C 2	370	440	366	930	200	4	740	17	1/2"	3/4"	3.4	53
21 S&C 2	370	440	366	930	200	4	740	17	1/2"	3/4"	4.2	54
30 S&C 3	370	440	366	1310	200	4	1120	24.5	1/2"	7/8"	5.2	57
40 S&C 3	495	447	450	1510	250	4	1320	24.5	1/2"	7/8"	5.5	60
50 S&C 3	495	447	450	1510	250	4	1320	24.5	5/8"	1 1/8"	7.7	60
75 S&C 3	495	447	450	1510	250	4	1320	24.5	5/8"	1 3/8"	9.2	60
100 S&C 3	563	537	390	1955	250	8	575	24.5	5/8"	1 3/8"	12.1	62
110 S&C 3	563	597	390	1955	250	8	575	24.5	5/8"	1 3/8"	14.1	64
150 S&C 3	563	597	390	1955	250	8	575	24.5	5/8"	1 5/8"	17	64
200 S&C 4	563	597	390	2520	250	10	570	24.5	5/8"	1 5/8"	22.6	64



TEPSA LTD

DESIGN AND MANUFACTURE OF EXCHANGERS

18, Kyprou str., Tavros 177 78, Athens - Greece

Phone: (+30) 210 4825149 (+30) 210 4819013, Fax: (30) 210 4829973

Email: tepsa@otenet.gr